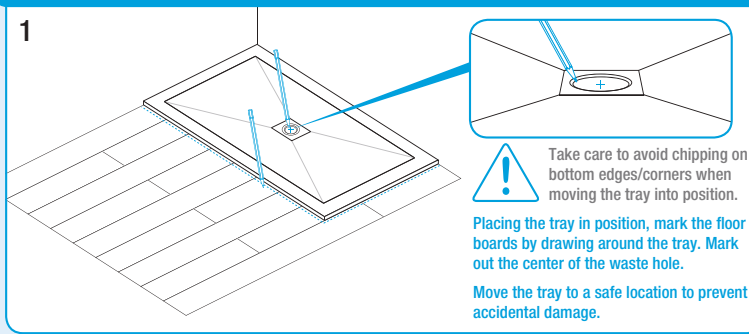


FITTING INSTRUCTIONS - WOOD FLOOR

1

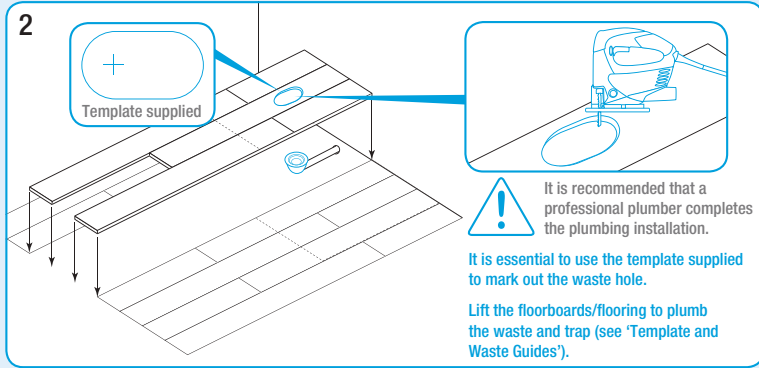


Take care to avoid chipping on bottom edges/corners when moving the tray into position.

Placing the tray in position, mark the floor boards by drawing around the tray. Mark out the center of the waste hole.

Move the tray to a safe location to prevent accidental damage.

2



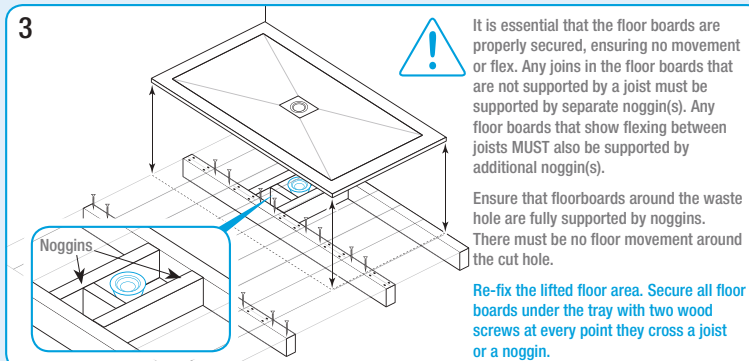
Template supplied

It is recommended that a professional plumber completes the plumbing installation.

It is essential to use the template supplied to mark out the waste hole.

Lift the floorboards/flooring to plumb the waste and trap (see 'Template and Waste Guides').

3



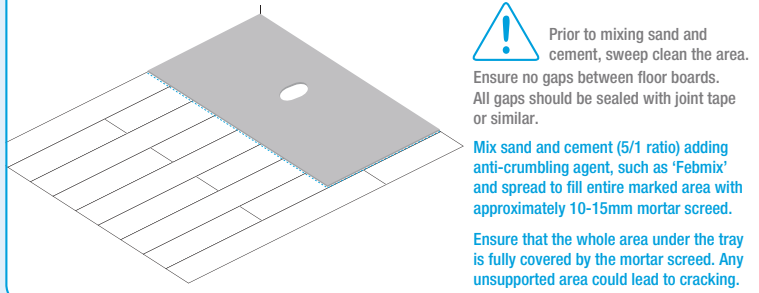
It is essential that the floor boards are properly secured, ensuring no movement or flex. Any joints in the floor boards that are not supported by a joist must be supported by separate noggin(s). Any floor boards that show flexing between joists MUST also be supported by additional noggin(s).

Ensure that floorboards around the waste hole are fully supported by noggins. There must be no floor movement around the cut hole.

Re-fix the lifted floor area. Secure all floor boards under the tray with two wood screws at every point they cross a joist or a noggin.

4

THE TRAY MUST BE BEDDED ON SAND & CEMENT. DO NOT USE ALTERNATIVE PRODUCTS SUCH AS SILICONE OR ADHESIVE.

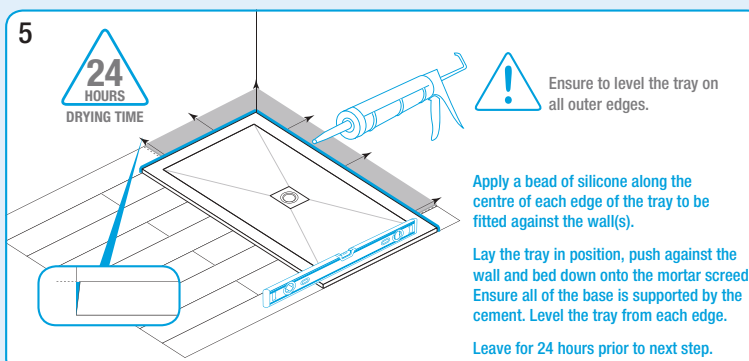


Prior to mixing sand and cement, sweep clean the area. Ensure no gaps between floor boards. All gaps should be sealed with joint tape or similar.

Mix sand and cement (5/1 ratio) adding anti-crumbing agent, such as 'Febmix' and spread to fill entire marked area with approximately 10-15mm mortar screed.

Ensure that the whole area under the tray is fully covered by the mortar screed. Any unsupported area could lead to cracking.

5



24 HOURS DRYING TIME

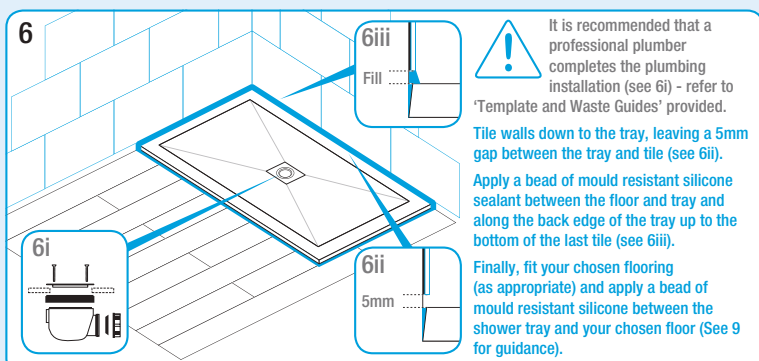
Ensure to level the tray on all outer edges.

Apply a bead of silicone along the centre of each edge of the tray to be fitted against the wall(s).

Lay the tray in position, push against the wall and bed down onto the mortar screed. Ensure all of the base is supported by the cement. Level the tray from each edge.

Leave for 24 hours prior to next step.

6



It is recommended that a professional plumber completes the plumbing installation (see 6i) - refer to 'Template and Waste Guides' provided.

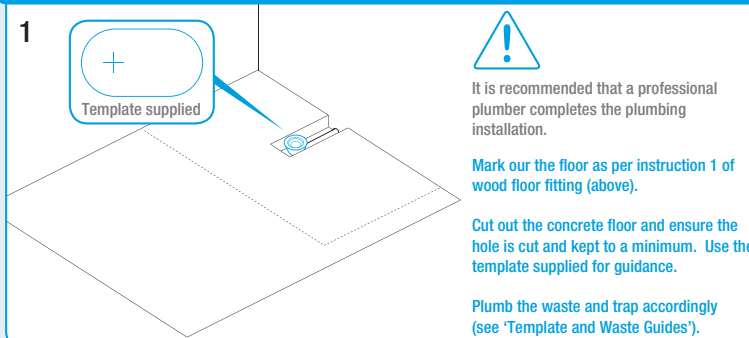
Tile walls down to the tray, leaving a 5mm gap between the tray and tile (see 6ii).

Apply a bead of mould resistant silicone sealant between the floor and tray and along the back edge of the tray up to the bottom of the last tile (see 6iii).

Finally, fit your chosen flooring (as appropriate) and apply a bead of mould resistant silicone between the shower tray and your chosen floor (See 9 for guidance).

FITTING INSTRUCTIONS - CONCRETE FLOOR

1



Template supplied

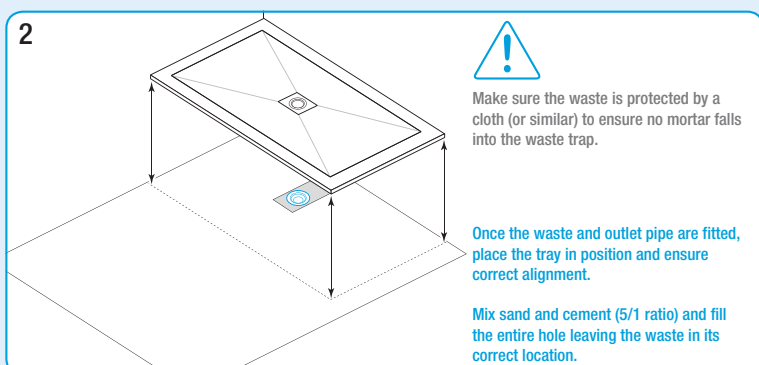
It is recommended that a professional plumber completes the plumbing installation.

Mark out the floor as per instruction 1 of wood floor fitting (above).

Cut out the concrete floor and ensure the hole is cut and kept to a minimum. Use the template supplied for guidance.

Plumb the waste and trap accordingly (see 'Template and Waste Guides').

2



Make sure the waste is protected by a cloth (or similar) to ensure no mortar falls into the waste trap.

Once the waste and outlet pipe are fitted, place the tray in position and ensure correct alignment.

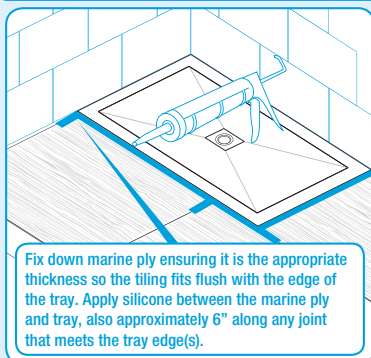
Mix sand and cement (5/1 ratio) and fill the entire hole leaving the waste in its correct location.

3

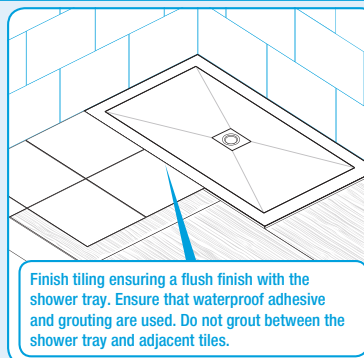
CONTINUE AS FROM **STEP 4** ABOVE TO COMPLETE THE TRAY INSTALLATION.

FLUSH FITTING - OPTIONAL

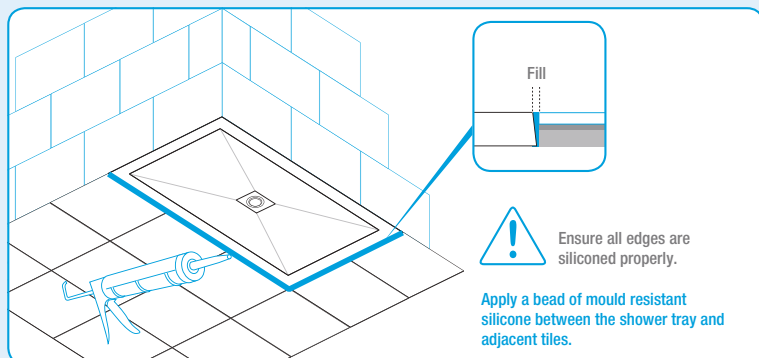
Follow stages 1-6 accordingly (as above), taking into consideration the depth of marine ply, tiles and adhesives.



Fix down marine ply ensuring it is the appropriate thickness so the tiling fits flush with the edge of the tray. Apply silicone between the marine ply and tray, also approximately 6" along any joint that meets the tray edge(s).



Finish tiling ensuring a flush finish with the shower tray. Ensure that waterproof adhesive and grouting are used. Do not grout between the shower tray and adjacent tiles.



Ensure all edges are siliconed properly.

Apply a bead of mould resistant silicone between the shower tray and adjacent tiles.

IMPORTANT FITTING INSTRUCTIONS: WET ROOM APPLICATION

Instructions 1-6 cover all showering applications which include a shower door or screen. If your tray has been purchased to be fitted as part of a wet room area with no surrounding glass, the following instructions apply: Fit your tray in accordance with the 'On Floor Fit' instructions (above steps 1-6) and in conjunction, incorporate a proprietary wet room tanking system. See your retailer/installer for full details. Please note: This tray is not suitable to raise up on legs. A timber platform can be constructed but the tray must still be bedded on a full screed of wet sand and cement mix on top of the platform.

25mm SHOWER TRAY FITTING INFORMATION

IMPORTANT INFORMATION - PLEASE READ PRIOR TO UNPACKING AND INSTALLING YOUR SHOWER TRAY. INCORRECT INSTALLATION WILL INVALIDATE YOUR GUARANTEE. IT IS RECOMMENDED THAT THE PLUMBING AND INSTALLATION ARE CARRIED OUT BY QUALIFIED PERSONNEL AND IN COMPLIANCE WITH REGULATIONS.

PRIOR TO FITTING

IMPORTANT INFORMATION - ANTI-SLIP RANGE: It is important to cover the shower tray surface during the entirety of the installation to protect from cement, tile adhesive/grout etc., as discolouration and damage may occur.

- Check the product thoroughly prior to fitting. Unfortunately, no claims for imperfections can be made once the tray has been installed.
- The tray must be fitted in **STRICT** accordance with the installation instructions. Failure to fit and maintain the product as per the instructions will invalidate the guarantee and possibly lead to long term damage.
- The use of any materials other than those specified in the fitting instructions could result in the shower tray failing, and will invalidate the guarantee. Alternative products used as bedding material (eg. Silicone, tile or general adhesive) are not suitable as they allow movement underneath the tray. This can cause the tray to 'flex' which can result in a stress fracture.
- **ONLY** fit the waste unit supplied with the tray (Wirquin Twisto). Fitting any other waste unit may lead to a reduction in water flow.
- This shower tray and waste unit combine to achieve European EN274 approval for water drainage. Together, they are designed to provide a water flow rate of over 30 litres per minute. High water pressure and 'deluge' shower heads can result in water flow rates exceeding the waste unit capacity (a restrictor valve may be required). Failure to fit the waste unit provided in accordance with the fitting instructions may reduce water flow and create drainage problems.

There should be no movement or flexing in any wooden flooring or support under the tray. Flooring should be secured to joists, and noggins should be added between joists under the waste hole area of the tray. Any movement beneath the tray may result in a stress fracture and invalidate the guarantee.

HOW TO CHECK THE TOLERANCE



Place a freestanding spirit level on outside edges of the tray.
DO NOT push down at either end.

NB. Whilst all trays are inspected during the manufacturing process, in rare cases due to the centre weight load of the stone resin, transport and storage can cause the tray to move slightly out of tolerance. If you have measured your tray and it appears out of tolerance, simply support the tray under each corner for a few hours and the tray will revert back to factory tolerances.

WHAT TO DO IF THE SHOWER TRAY HAS MORE THAN 5mm TOLERANCE



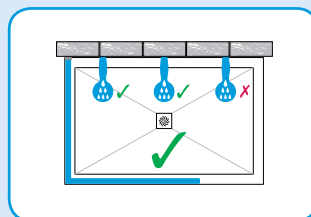
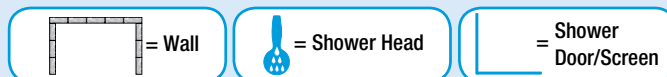
Place the tray on wooden blocks (edges) and the tray will revert back to tolerance.

DURING FITTING

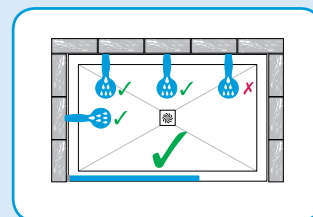
- Connect the waste unit to standard straight outlet pipe. **DO NOT** use flexi-pipe as this interferes with the suction created by the waste unit and reduces water drainage. Always use curved joints for any bends in the outlet pipe.
- The outlet pipe should have a minimum of 2% fall. Ensure the outlet pipe does not vibrate or wobble.
- The waste unit inlet should be covered to protect from debris falling into the waste body. Once connected, check there are no blockages.
- **DO NOT** over-tighten the flange screws when attaching the waste unit to the tray, as this can cause the tray to crack
- The tray should be water tested before the final fix.
- Cover and protect the tray when tiling and fitting shower tray and enclosures.

DOORS/SCREENS AND SHOWER HEADS

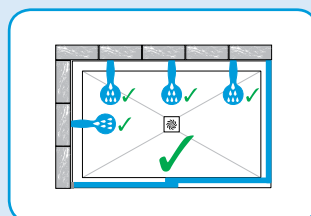
Always fit a door or screen unless fitting as part of a wet room.
Never fit a shower head at the open end of an enclosure.



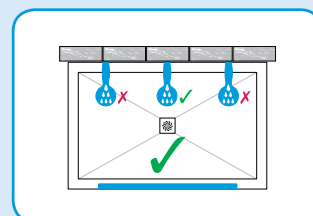
Walk In - Front & Side Panel



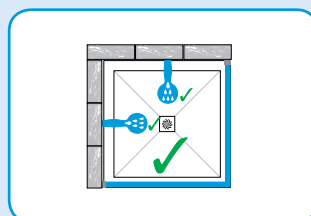
Walk In - Front Panel



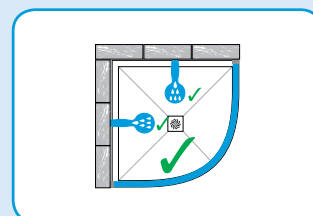
Door Enclosure



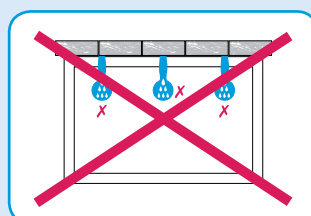
Walk In - Center Panel



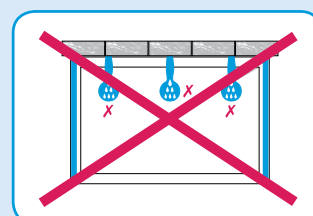
Square - Full Enclosure Only



Quadrant - Full Enclosure Only



No Panel/Enclosure



Two End Panels

To ensure that your shower tray guarantee is valid, the tray must be fitted in accordance with the manufacturers instructions enclosed.
For further information, please contact your retailer.

Name: _____

Address: _____

Postcode: _____

Email: _____

Telephone: _____ Retailer/Tray Size: _____

I confirm that my shower tray has been fitted in accordance with the instructions and understand that failure to do so will invalidate my guarantee.

Signature: _____ Purchase Date: ____ / ____ / ____

Please sign & return this guarantee within one month of purchase to:
TMUK Customer Care Unit C19 - Ensign Estate, Botany Way, Purfleet, Essex RM19 1TB